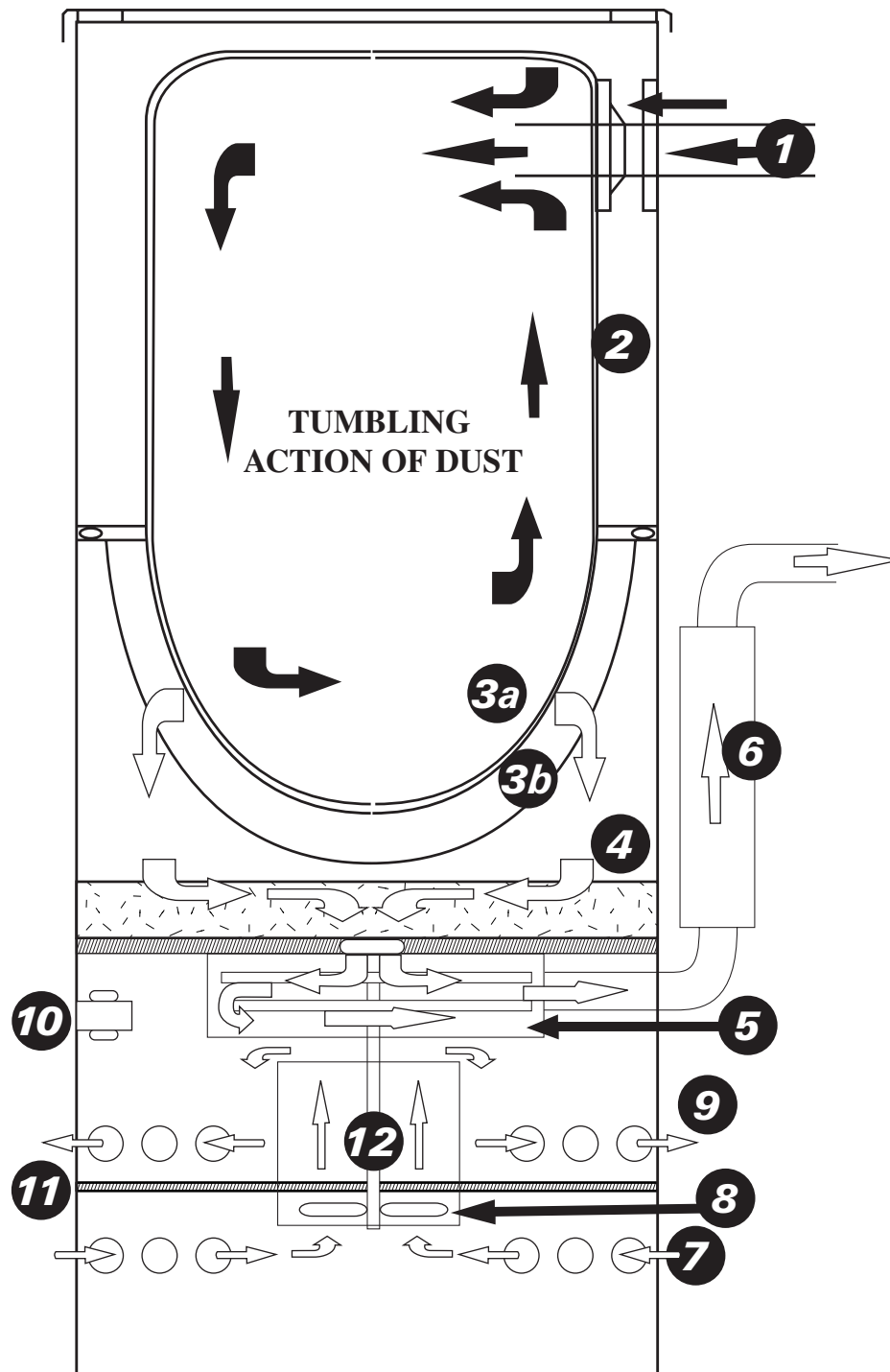


KIWIVAC

4 FILTER SYSTEM - PROVIDES MAXIMUM MOTOR PROTECTION, GREATLY EXTENDING MOTOR LIFE



- | | |
|--|---|
| <ul style="list-style-type: none"> 1 Air Intake from Ducting Network 2 19 LTR or 26 LTR Capacity Dust recepticle 3a Double Lined Closed Bag Filter 3b Taperd Heavy Duty Cloth Bag 4 Micro Mesh Filter before Vacuum Fans 5 Vacuum Fans 6 Motor Noise Suppression Muffler | <ul style="list-style-type: none"> 7 Motor Cooling Air in separate from Vacuum Air 8 Motor Cooling Fan 9 Motor Cooling Air Out 10 Stepdown Isolating Transformer to NZ Safety Standards 11 Patented Noise Suppression 12 Ametek By Pass Motors 240v |
|--|---|